



**ST AMERICAS INC.**

## COMPANY INTRODUCTION

# INTRODUCTION

## ONE-STOP SOLUTION PROVIDER

ST OCEAN has been growing up as a verified supplier of various marine/offshore products and services to EPC contractors and Korean shipbuilding industry over decades.

Based on long-term and strong partnership with world-wide suppliers, ST OCEAN established its position strongly in the market.

In year 2022, ST OCEAN is extending its expertise into **ST AMERICAS INC.** for the US market. ST AMERICAS is a main U.S. representative and service network for various international manufacturers, engineering companies and service companies.

We also support local U.S. clients for global service networks and sales for the following key sectors.

- Marine/offshore sector
- Industry sector (Chemical Plant / LNG infrastructures, etc.)
- Clean energy sector
- Semiconductor sector (Samsung Austin)



### OUR CLIENTS IN KOREA

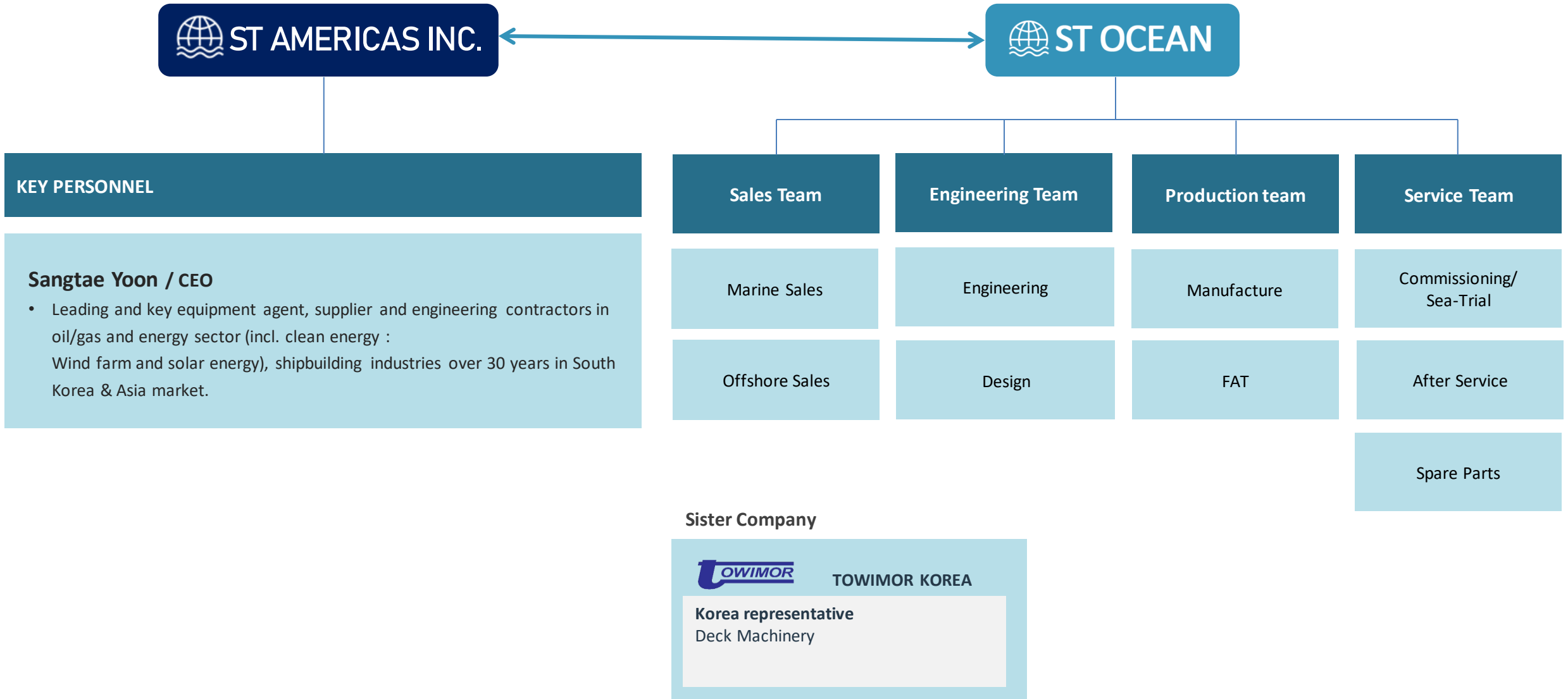


SAMSUNG HEAVY INDUSTRIES



ST AMERICAS INC.  
24285 KATY FWY STE 300  
KATY, TX 77494

# ORGANIZATION



# BUSINESS OVERVIEW

## MARINE/ OFF&ONSHORE

### (Seller)

- Deck Machinery
- Fire-Fighting System
- Anchor Chain
- HVAC
- Ventilation fan
- Gally
- Electric Power
- FRP Grating
- LNG Tank
- Stainless Steel Foundry
- Work boat
- Casting Products
- Hydraulic Cylinder
- Hydraulic Components
- Misc Bulk Items  
(Piping /Outfitting's/ Flexible Hoses)
- Crane
- LNG/LPG Equipment
- LNG Bunkering System
- Pressure Vessel
- Pressure Relief Valve
- Electrical Cable
- Load cell

### (Manufacturer)

- Winch (including Special, Offshore Winch)
- Anchor Chain Stopper
- HPU / Hydraulic System / Engineering

## CLEAN ENERGY

### (Seller)

- Wind Turbine
- Mooring Chain
- Hydrogen Solution

## ENGINEERING, SERVICE & SPARE PARTS

- Ship Engineering
- Engineering manpower supply
- Commissioning/Inspection manpower supply
- Spare parts
- Engine Spare parts
- Ship Repair, Maintenance & A/S



# MARINE OFF&ONSHORE

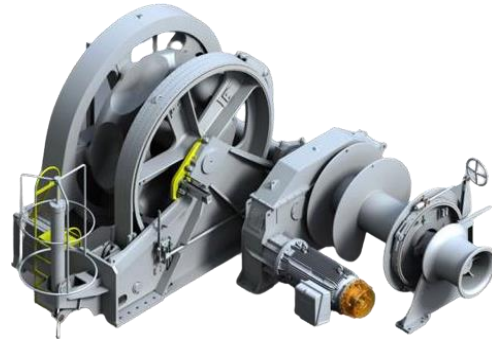
## DECK MACHINERY



### TOWIMOR SA

#### *Main Products*

- Anchor Windlass
- Mooring Winch(Electric/Hydraulic)
- Chain Stopper
- Deck Crane



#### *Major References*

- Eneti WTIV(Wind Turbine Installation Vessel) built in HANWHA OCEAN
- Evergreen 24000 TEU built in SHI *[World largest container ship]*
- Reliance Ruby FPSO built in SHI

➤ The brand and experience built by 100 years of history in global shipbuilding market

➤ +4000 ships equipped with Towimor deck machinery

## FIRE FIGHTING SYSTEM



### FIRENOR AS

#### *Main Products*

- Deluge System
- Sprinkler System
- Foam System
- Gaseous System
- Water Mist System
- Hydrant / Hosereel

#### *Major References*

- Petronas P79 FPSO
- BP Tortue FPSO
- ENI Goliat FPSO

➤ Dynamic and flexible company for an enormous variety of high-quality active firefighting equipment

➤ Turnkey Supplier from conceptual design to on-time delivery of pre-tested equipment



# MARINE OFF&ONSHORE

## ANCHOR CHAIN



### ZHENGMAO

#### Main Products

- Marine Anchor Chain
- Offshore Mooring Chain
- Anchors
- Accessories

- Dia.24~172mm M2 and M3 Marine anchor chain
- Dia.54~208mm R3, R3s, R4, R4s, R5, R6 mooring chain
- World-first type approval for Grade R6 mooring chain in 2019



## HVAC/VENTILATION FAN/GALLY



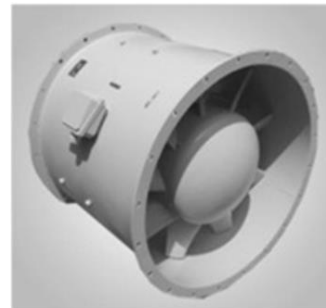
### DAN MARINE GROUP

#### Main Products

- Marine HVAC
- Marine Refrigeration
- Marine Ventilation fan
- Air Washer
- Gally Laundry equipment
- Engine Spare Parts



- More than 20 years of expertise in producing high quality equipment
- Supplied approx. 3000 shipsets to Chinese shipbuilding industry



# MARINE OFF&ONSHORE

## FRP GRATING

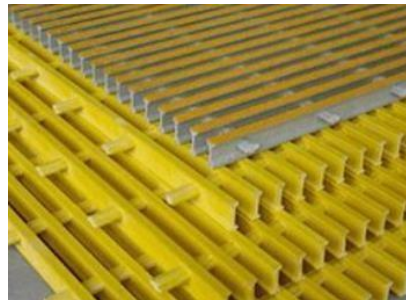
### SUZHOU MUYI

#### *Main Products*

- GRE Pipe
- FRP Grating
- FRP Cable Supporting System
- Customized Products

#### *Major References*

- CMA-CGM 22,000 TEU built in JIANGNAN shipyard
- Exmar Marine NV 86,000m<sup>3</sup> VLGC in JIANGNAN shipyard
- Pacific Gas 98,000m<sup>3</sup> VLEC in JIANGNAN shipyard



## LNG TANK & SOLUTIONS

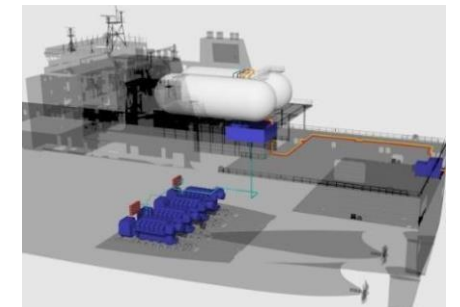
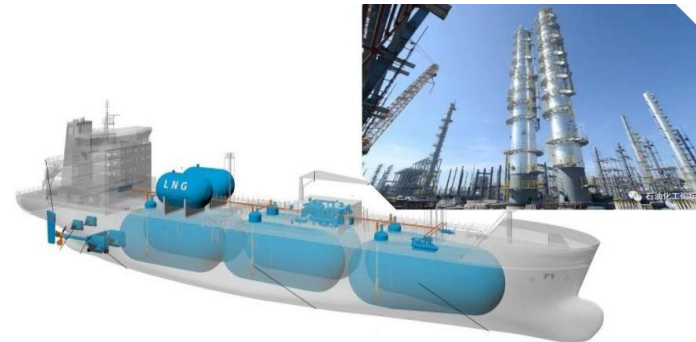
### WATTS ENERGY & ENGINEERING

#### *Main Products*

- LNG/LEG/LPG Cargo Tank, Cargo Handling System
- LNG/LEG Onshore Storage Tank
- Marine LNG Dual Fuel Gas Storage and Supply System
- Oil and Gas Storage and Transportation, Processing Module for FSRU, FPSO, etc.

#### *Major References*

- 85000cbm VLEC built in DSIC
- 8500cbm LNG bunkering vessel built in DSIC
- SWS 209K Dual Fuel Bulk Carriers built in SWS shipbuilding



# MARINE OFF&ONSHORE

## WORK BOAT



### QINGDAO BEIHAI

#### *Main Products*

- Affairs Boat
- Transportation Boat
- Fast Boat
- Luxury Aluminum Boat



- Huge references and performance (established in 1982)
- GB/T19001 – 2008 Quality Management System Certification
- GJB9001B – 2009 Military Quality Management System Certification



## LNG BUNKERING SYSTEM



### SHANGHAI UPRO MARINE SYSTEM

#### *Main Products*

- Cargo Handling System
- Fuel Gas Supply System (LNG/LPG/Ammonia)
- NH3 Fuel Gas Supply System
- Methanol Gas Supply System



#### *Major References*

- 5000cbm LPG Carriers built in CSSC Wenchong shipyard
- 9500cbm LNG/LPG/LEG Carriers built in CSSC Wenchong shipyard
- H-line 7000CEU PCTC





## ELECTRIC POWER

### HYUNDAI

#### Main Products

- Low Voltage Motor
- High Voltage Motor
- Special Motor
- Generator
- Inverter
- Switchgear
- Transformer



- Excellent insulation system
- Optimum design through electromagnetic and flow analysis
- Energy saving and power saving
- Low temperature rise extends winding life
- High economics and compatibility

## DIGITAL VOLTAGE REGULATOR

- **Model : HDEC1000**
- Applicable EC Directives : EMC Directive (2004/108/EC)
- Applicable Standards: EN 61000-6-2 (2005), EN 61000-6-4 (2007)
- Detailed specification of the test and declared product acc.to EMC test
- Equivalent product to DECS-150 from Baslar Electric

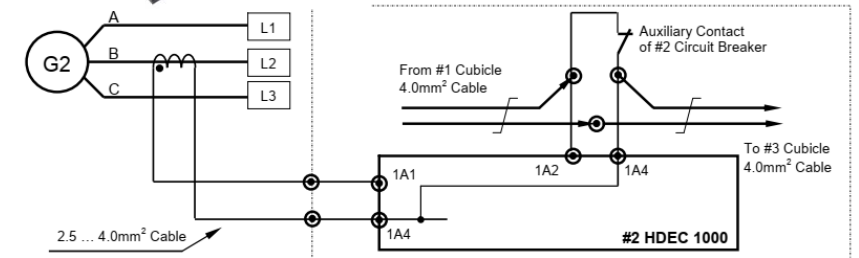
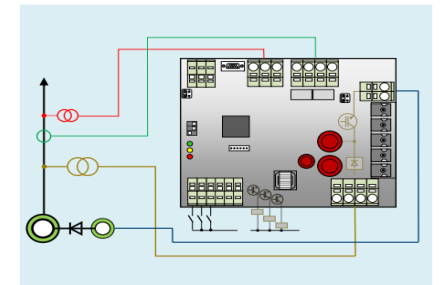


Figure 2-3 Typical Wiring Diagram for CCC (with single CT, Cubicle Mounting)

# MARINE OFF&ONSHORE

## STEEL PRODUCTS

We provide high quality steel products from verified manufacturers in Korea

- Stainless Steel Foundry
- Casting Products
- High Quality Steel Products including Gears, etc.



## LOAD CELL

### **SHINHAN ELECTRONICS**

- Load Cell



## EMERGENCY DIESEL ENGINE

### **ENERGEN**

- Diesel Engine Generator Set
- Backup Generator for Industry and Home



## HYDRAULIC PRODUCTS

### **JINWON HYDRAULIC**

- HPU for Various Industrial Uses
- Hydraulic Cylinder
- Various Hydraulic Products

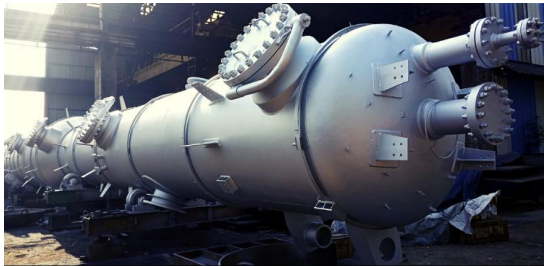


# MARINE OFF&ONSHORE

## PRESSURE VESSEL

### CODES AND STANDARDS

- ASME BPVC
- ASME "U" Stamps, "S" Stamp etc.
- PD 5500
- Pressure Equipment Directive(PED)
- API510 & API 2610



## PIPE FITTINGS

### CODES AND STANDARDS

- ASME BPVC
- ASME "U" Stamps, "S" Stamp etc.
- PD 5500
- Pressure Equipment Directive(PED)
- API



## PRESSURE SAFETY VALVES

### CODES AND STANDARDS

- ASME
- ASME "U" Stamps, "S" Stamp etc.
- ASME BPVC
- Pressure Equipment Directive(PED)
- API 520, API 521, API 526, API 527, API 576



# MARINE OFF&ONSHORE

## Various Marine Products

- Winch
- Special Winches
- Offshore Winches
- AHTS Equipment
- Crane System
- Anchor Chain Stopper
- HPU
- Hydraulic System/Engineering
- Load cell



Towing winch (400 Ton)



Anchor chain stopper for 147mm chain



Towing winch (~300 Ton)

# ENGINEERING, SERVICE&SPARE PARTS

## SERVICE&SPARE PARTS

- Commissioning/Inspection
- Maintenance/Supervising
- Maker Certified Parts
- Genuine Replacement Parts
- OEM Replacement Parts
- Steel Products



## ENGINE SPARE PARTS

- FIVA Valve
- O ring/packing
- Stuffing box
- Exhaust valve/seat
- Piston crown
- Cylinder cover
- Cylinder liner
- Fuel valve/Spindle guide/Nozzle



# ENGINEERING, SERVICE&SPARE PARTS

## ENGINEERING

### ENGINEERING SUPPORT

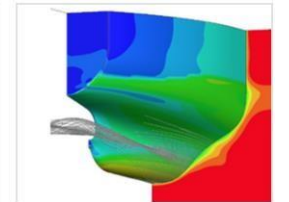
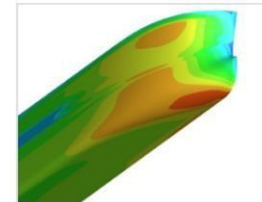
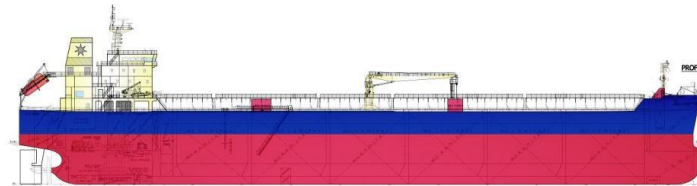
- Design & Engineering Management
- FEED Preparation / Evaluation
- Design Philosophy, Procedure and Specification Preparation / Evaluation
- HAZID & HAZOP Review / Preparation
- Repair and design modification support

### PROCUREMENT SUPPORT

- Procurement Strategy Development
- Recommended Suppliers Nomination/Pre-Qualification
- POS & Datasheet Development / Review
- RFQ Review / Preparation
- Supplier Coordination and Management
- Supplier Document Review
- Inspections, FAT and Reporting

### SHIP DESIGN & ENGINEERING / EQUIPMENT SUPPLY

- FEED Engineering
- Basic, Detail Design, Production Design
- Retrofit (BWMS & Scrubber) & Conversion Engineering
- EEXI / CII Consulting
- ESD(Energy Saving Device) Engineering
- LNG/LPG Carrier, Container, Crude oil and Chemical Tanker, Bulk Carrier
- LNG Fueled Vessel, LNG Bunker Barges, FGSS Engineering & Supply
- Electric Propulsion Ship, Ammonia Fueled Ship, Liquefied Hydrogen Carrier



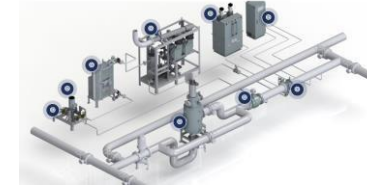
- ✓ KmsEmec is one of the best ship engineering companies in South *Korea since 1971 and delivered over 600 ships.*
- ✓ ST AMERICAS and KmsEmec are cooperating to provide high level and optimized design/equipment supply to the US market.

# ENGINEERING, SERVICE&SPARE PARTS

## REPAIR, MAINTENANCE & A/S

### ***MACHINERY REPAIRS & MAINTENANCE***

- Main Engine and Generator
- Machinery Equipment
- Pumps
- Control System
- Oily Water Separator System
- BWTS & Scrubber System



### ***STRUCTURAL REPAIR***

- Structural Damage Investigation and Repair
- Structural assessment and Engineering
- 3<sup>rd</sup> Party Inspection & Report



### ***REPAIR (DECK MACHINERY, HATCH COVER, LASHING BRIDGE)***

- Damage Investigation and Repair
- Engineering Assessment and Analysis
- 3<sup>rd</sup> Party Inspection & Report



# CLEAN ENERGY

## WIND TURBINE



### ***HZ WINDPOWER***

#### *Main Products*

- 5MW Offshore Wind Turbine
- 2.5MW, 2MW, 850kW Wind Turbine

➤ CSIC (Chongqing) Haizhuang Windpower Equipment Co., Ltd., founded in 2004, is an advanced technological industrial company specialized in the development and manufacturing of large wind power equipment and related main components.



## MOORING CHAIN FOR WIND FARM



### ***ZHENGMAO***

#### *Main Products*

- Mooring Chain for Offshore Wind Farm
- Dia.54~208mm R3, R3s, R4, R4s, R5, R6 mooring chain
- World-first type approval for Grade R6 mooring chain in 2019





# CLEAN ENERGY

## HYDROGEN SOLUTION



### ***GUOFUHEE***

#### *Main Products*

- Liquid Hydrogen Products
  - Liquid Hydrogen Storage Tanks, Containers
- HRS(Hydrogen Refueling Stations) Products
- Compressed Hydrogen Storage System

➤ Based on advanced technology and professional experience, GUOFUHEE is becoming the leading equipment supplier for the integrated hydrogen solution.

